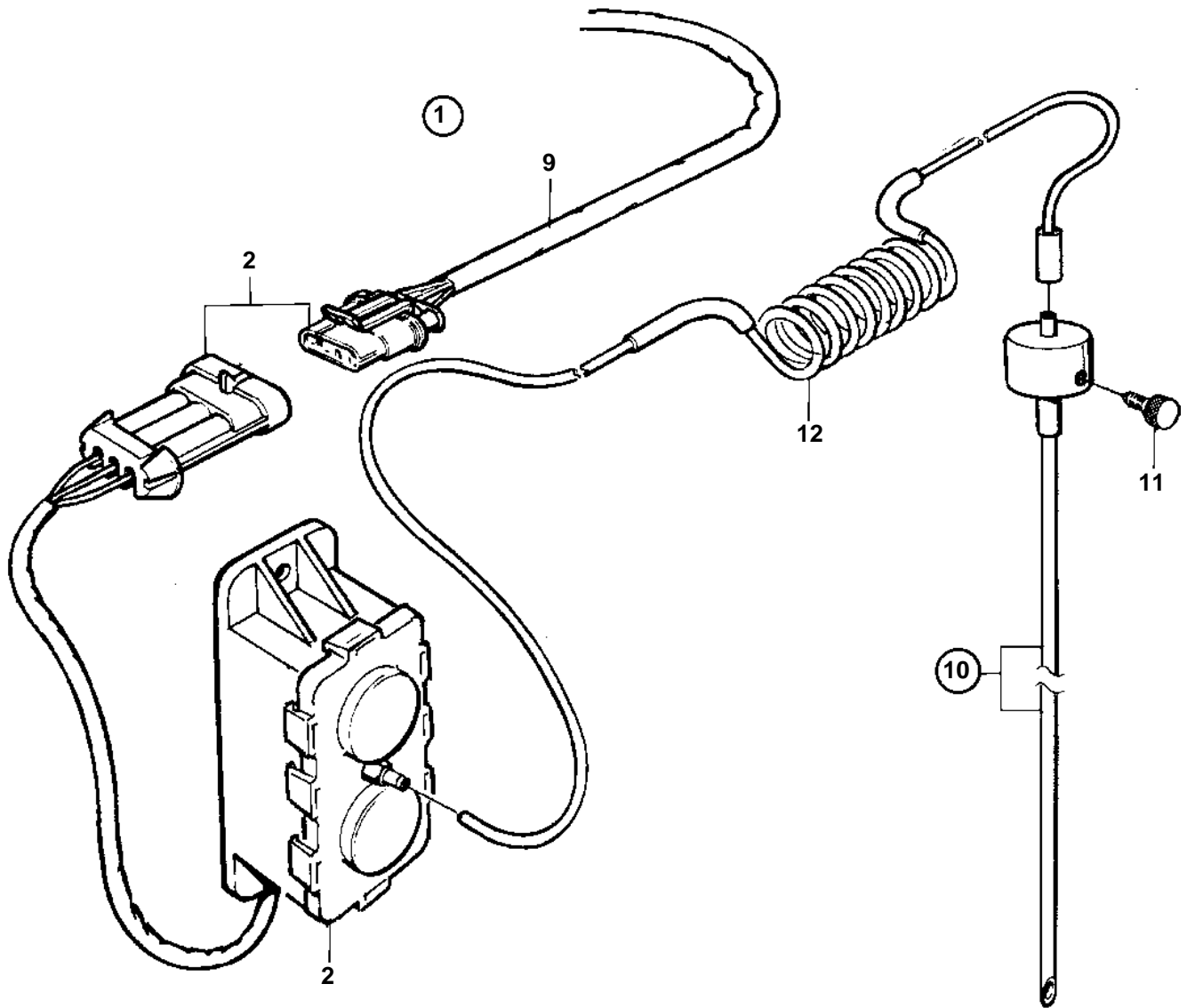
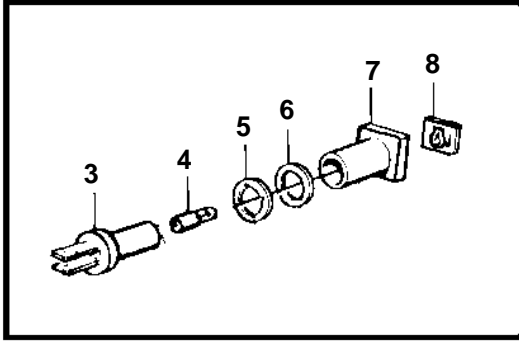


TAMD162A, TAMD162B, TAMD162C, TAMD162C-B



TAMD162A, TAMD162B, TAMD162C, TAMD162C-B

REF	PART NO.	QTY	DESCRIPTION	SEE SEC.	NOTES
1		1	Level guard		24V
2		1	· Level sensor		
3	808175	1	· Bulb socket		
4	182059	1	· Bulb		24V
5	967583	1	· Retainer		
6	829714	1	· Seal		
7	838455	1	· Retainer		
8	866853	1	· Symbol strip		
9		X	Electrical materials	1963	
10		1	Dipstick, deep oil sump		
		1	Dipstick, shallow oil sump		
11		1	· Screw		
12		1	· Hose		